

# Wall saddle monoblock low temperature MOD. IPAL402C ❄️



Included accessories



LED LIGHT



DOOR MICROSWITCH

## Table of cooling capacities in W and cold room m<sup>3</sup> - MOD. IPAL402C - R455A

COLD ROOM T.

AMBIENT T.	-15 °C		-20 °C		-25 °C	
	W	m3	W	m3	W	m3
25 °C	1200	10,1	1016	8,6	842	5,8
32 °C	1088	8,9	915	7,0	753	4,9
38 °C	986	7,6	825	6,2	673	4,0
43 °C	897	6,2	746	4,9	604	3,2

## Technical data

Model	IPAL402C
Type	Monoblock (400)
Mounting	Wall
Application	MBP
Expansion	Valve
Defrost	Hot gas
CAT. PED	1
Refrigerant	R455A

## Dimensions

Width W	400 mm
Depth D	922 mm
Height H	800 mm
Net weight	63 kg

## Absorption

Power consumption	905 W
Current consumption	4,5 A

## Condenser

Condensation	Air
No. of fan-motors	1
Diameter	254 mm
Air flow	700 m <sup>3</sup> /h

## Evaporator

No. of fan-motors	1
Diameter	254 mm
Air flow	650 m <sup>3</sup> /h
Air throw	6 m

## Compressor

Type	Hermetic
No. of compressors	1 (AJ2446P)
Brand	TECUMSEH
Voltage	220-240/1/50
Displacement	26,2 cm <sup>3</sup>

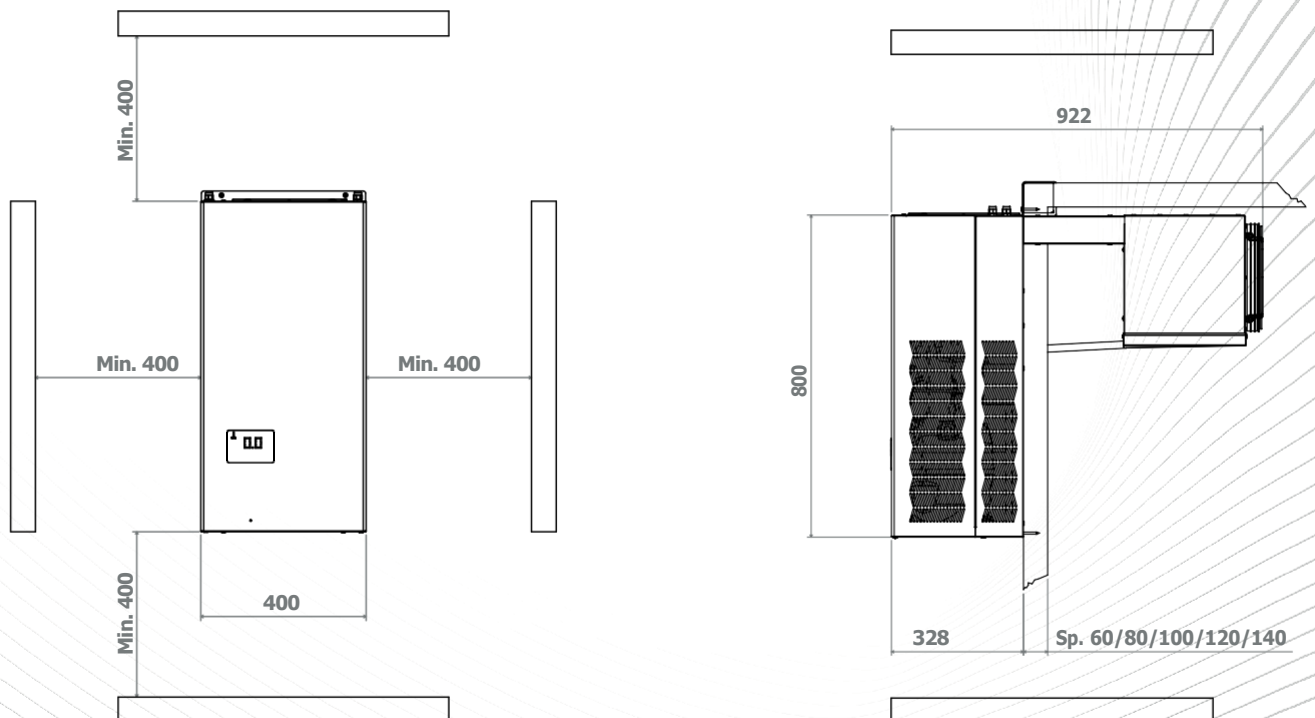
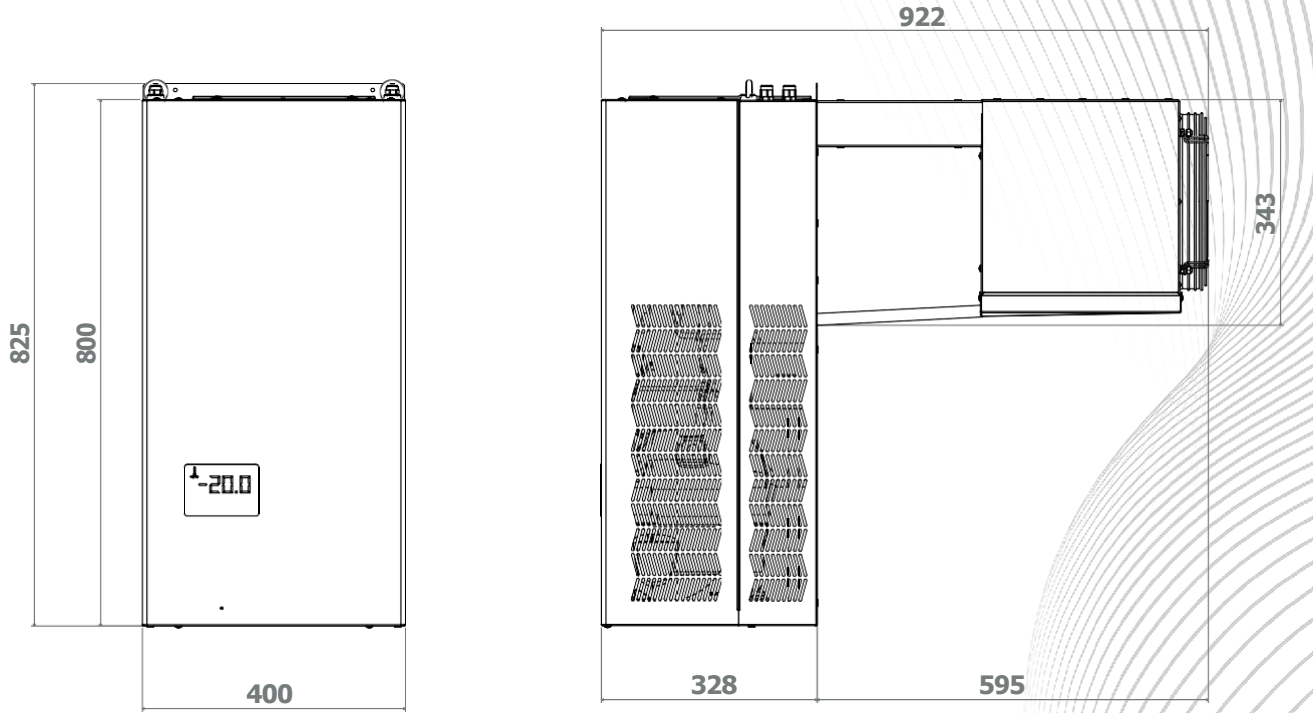
## Technical features (standard)

- Structure in zinc-plated metal sheet coated with epoxy primer and powder (RAL 9003);
- Easily removable front cover to facilitate both verification and maintenance operations;
- Internal arrangement of components designed to facilitate their maintenance;
- Hermetic compressors with thermal motor protection;
- Heat exchangers with striped copper and aluminium pipes;
- Air condensation;
- Air evaporation;
- Thermostatic valve expansion;
- Programmable hot gas defrosting;
- Heating cable for condensate drain in both MT and LT;
- Stainless steel tray for condensed water evaporation equipped with a copper coil with cataphoresis coating and an overflow exhaust pipe;
- High-pressure safety pressure switch (automatic reset/fixed setting);
- Electronic control unit;
- Programmable electronic board with touch control display;
- Control unit designed for remote management via Wi-Fi module (optional);
- Cold room light with cable L=2,5m;
- Micro-switch with cable L=2,5m;
- Power cable L=2,5m;
- Packaging with wooden pallet and cardboard (included)

## Optional a request

- Plug-in kit th. 100 mm without hooks 400 series;
- Plug-in kit th. 60 mm with hooks 400 series;
- Plug-in kit th. 80 mm with hooks 400 series;
- Plug-in kit th. 100 mm with hooks 400 series;
- Plug-in kit th. 120 mm with hooks 400 series;
- Plug-in kit th. 140 mm with hooks 400 series;
- Low-pressure switch (automatic reset/fixed setting);
- Wi-Fi module for remote management;
- Condenser fan speed control with pressure switch;
- Condenser fan speed control with pressure speed variator;
- Compressor crankcase heater;
- Winter kit;
- Remote control panel with cable of 5/10/15/20m;
- Length increase for machine's power cables, light cable and door micro-switch cable (5/10/15/20m);
- Voltage monitor for three-phase application;
- Cataphoresis treatment on evaporator and/or condenser;
- Packaging with wooden cage;

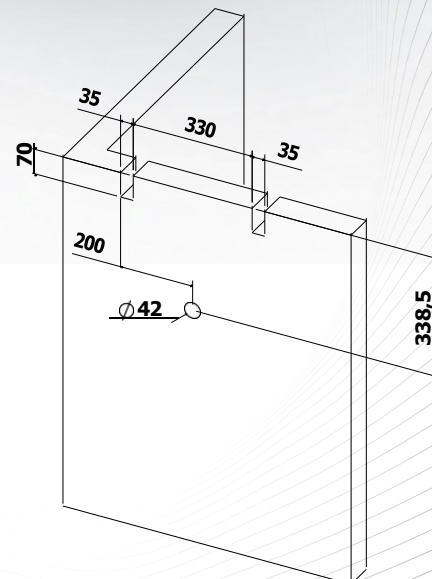
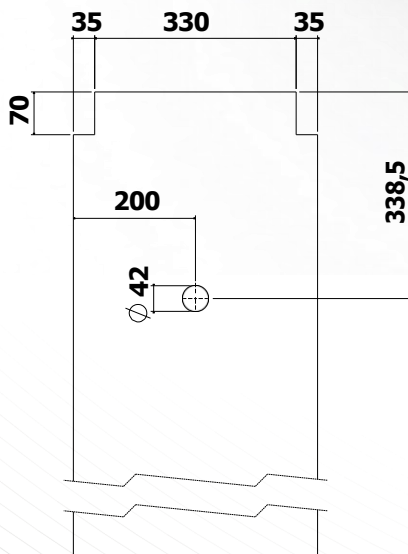
## 400 series wall monoblock dimensions



Wall monoblock “SADDLE” version (STANDARD) 400 series



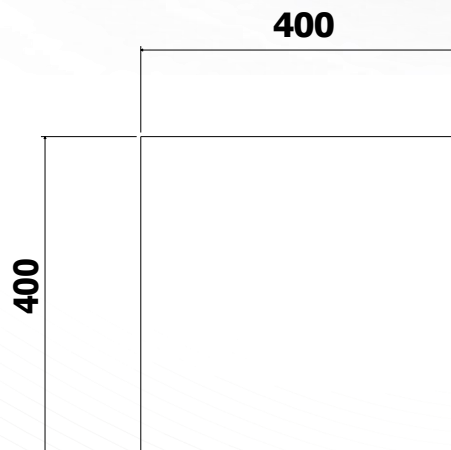
Holes *size in the* cold room panel



*Wall monoblock "PLUG-IN" version (OPTIONAL) 400 series*



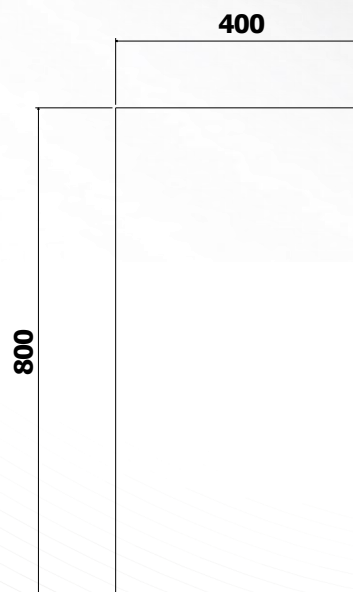
*Hole size in the cold room wall*



**Wall monoblock “PLUG-IN PANEL WITH HOOKS” version (OPTIONAL) 400 series**



**Panel with hooks dimensions**



## Packaging *dimensions for wall monoblock*

