

Wall saddle monoblock medium temperature MOD. IPAM403C ❄️



Included accessories

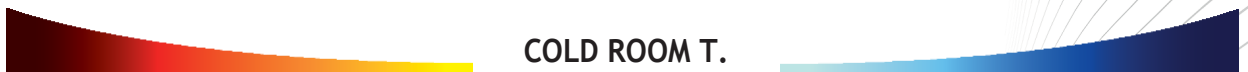


LED LIGHT



DOOR MICROSWITCH

Table of cooling capacities in W and cold room m³ - MOD. IPAM403C - R455A



AMBIENT T.	5 °C		2 °C		0 °C		-2 °C		-5 °C	
	W	m3	W	m3	W	m3	W	m3	W	m3
25 °C	1457	19,0	1350	15,7	1280	12,4	1212	11,1	1112	9,8
32 °C	1346	17,2	1246	13,6	1180	10,0	1117	9,3	1024	8,6
38 °C	1242	14,6	1150	11,9	1089	9,3	1030	8,3	943	7,2
43 °C	1151	12,1	1065	10,0	1008	7,8	953	6,9	872	5,9

Technical data

Model	IPAM403C
Type	Monoblock (400)
Mounting	Wall
Application	MBP
Expansion	Valve
Defrost	Hot gas
CAT. PED	1
Refrigerant	R455A

Dimensions

Width W	400 mm
Depth D	922 mm
Height H	800 mm
Net weight	53 kg

Absorption

Power consumption	600 W
Current consumption	2,6 A

Condenser

Condensation	Air
No. of fan-motors	1
Diameter	254 mm
Air flow	700 m ³ /h

Evaporator

No. of fan-motors	1
Diameter	254 mm
Air flow	750 m ³ /h
Air throw	6 m

Compressor

Type	Hermetic
No. of compressors	1 (AE4470P)
Brand	TECUMSEH
Voltage	220-240/1/50
Displacement	12 cm ³

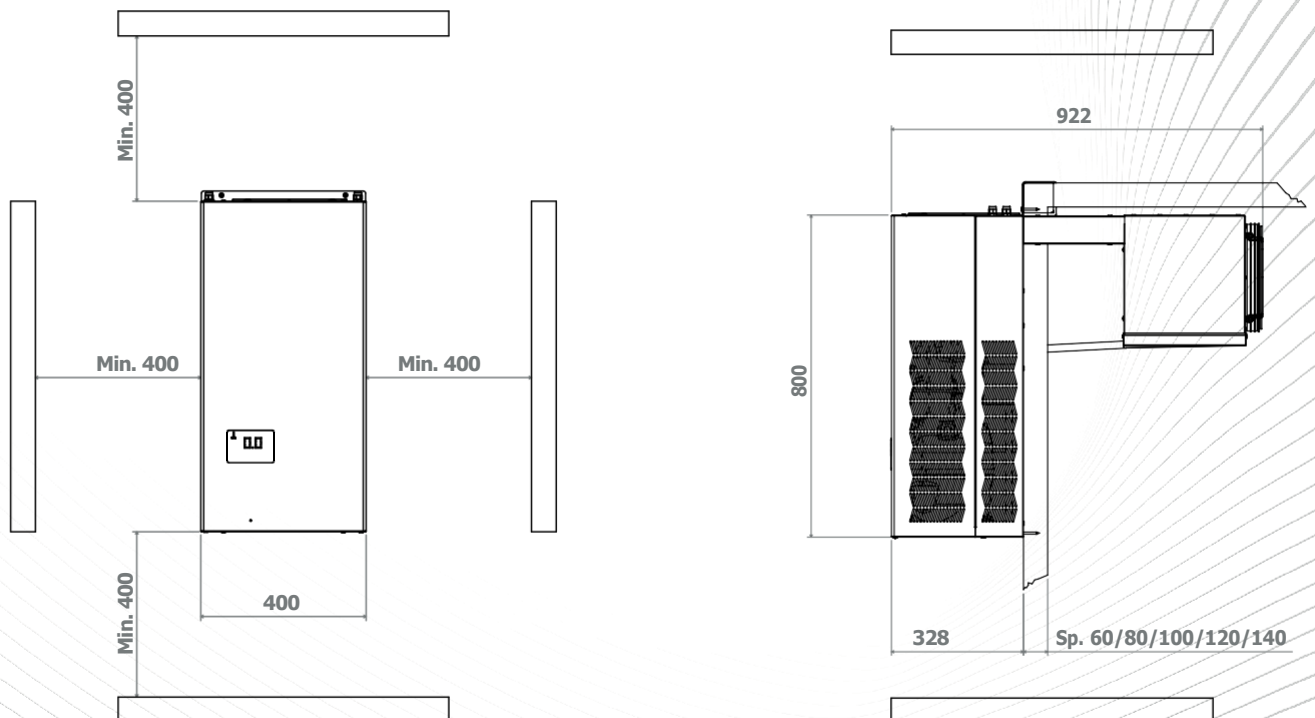
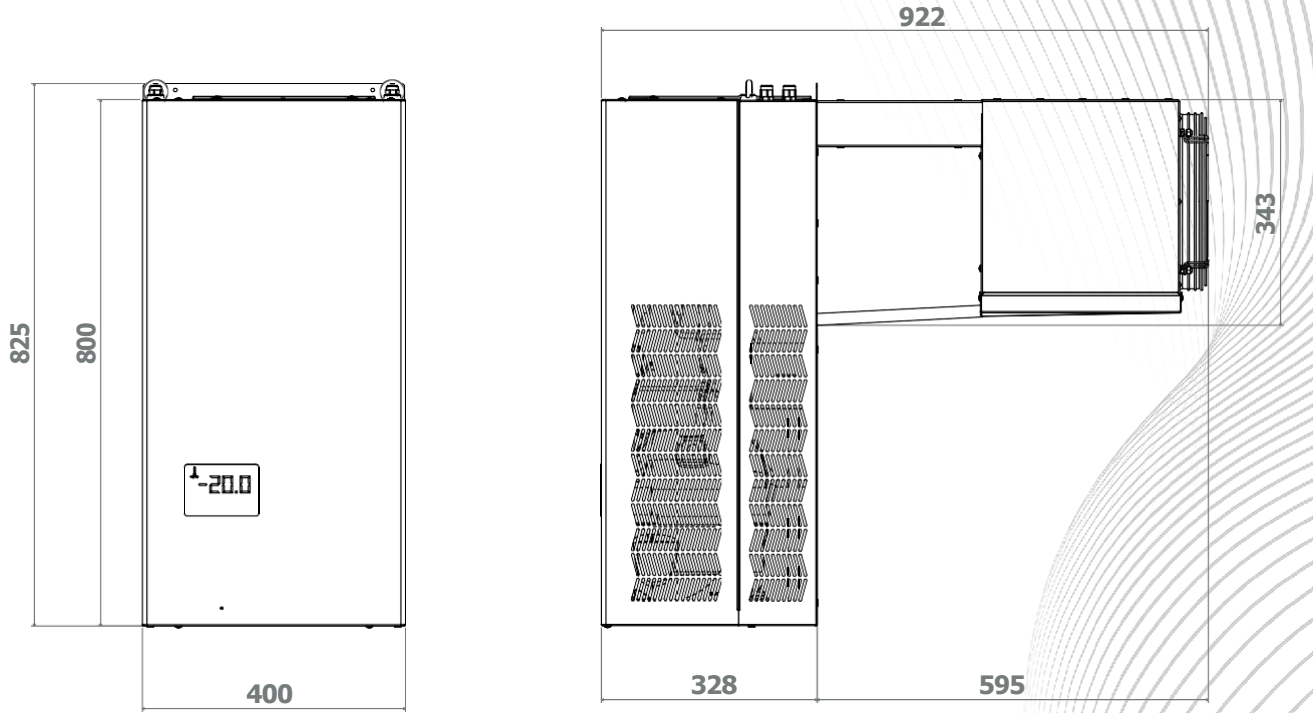
Technical features (standard)

- Structure in zinc-plated metal sheet coated with epoxy primer and powder (RAL 9003);
- Easily removable front cover to facilitate both verification and maintenance operations;
- Internal arrangement of components designed to facilitate their maintenance;
- Hermetic compressors with thermal motor protection;
- Heat exchangers with striped copper and aluminium pipes;
- Air condensation;
- Air evaporation;
- Thermostatic valve expansion;
- Programmable hot gas defrosting;
- Heating cable for condensate drain in both MT and LT;
- Stainless steel tray for condensed water evaporation equipped with a copper coil with cataphoresis coating and an overflow exhaust pipe;
- High-pressure safety pressure switch (automatic reset/fixed setting);
- Electronic control unit;
- Programmable electronic board with touch control display;
- Control unit designed for remote management via Wi-Fi module (optional);
- Cold room light with cable L=2,5m;
- Micro-switch with cable L=2,5m;
- Power cable L=2,5m;
- Packaging with wooden pallet and cardboard (included)

Optional a request

- Plug-in kit th. 100 mm without hooks 400 series;
- Plug-in kit th. 60 mm with hooks 400 series;
- Plug-in kit th. 80 mm with hooks 400 series;
- Plug-in kit th. 100 mm with hooks 400 series;
- Plug-in kit th. 120 mm with hooks 400 series;
- Plug-in kit th. 140 mm with hooks 400 series;
- Low-pressure switch (automatic reset/fixed setting);
- Wi-Fi module for remote management;
- Condenser fan speed control with pressure switch;
- Condenser fan speed control with pressure speed variator;
- Compressor crankcase heater;
- Winter kit;
- Remote control panel with cable of 5/10/15/20m;
- Length increase for machine's power cables, light cable and door micro-switch cable (5/10/15/20m);
- Voltage monitor for three-phase application;
- Cataphoresis treatment on evaporator and/or condenser;
- Packaging with wooden cage;

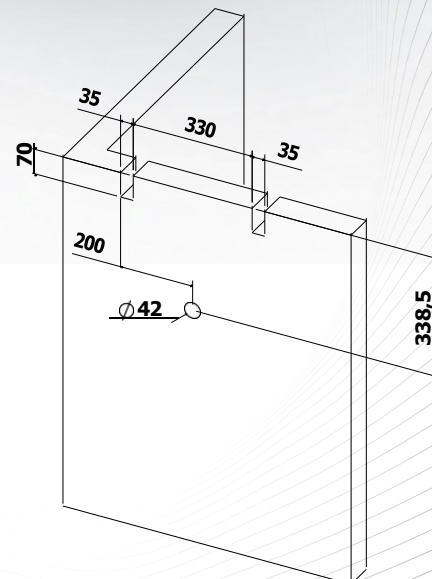
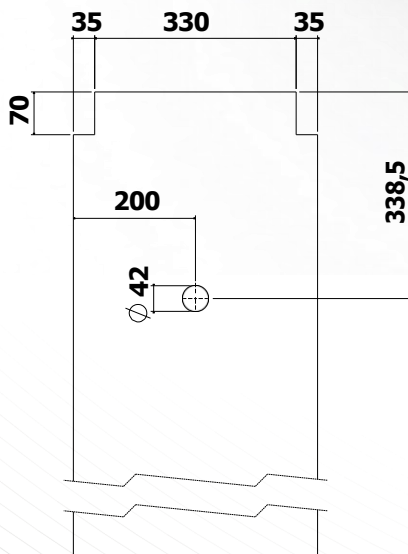
400 series wall monoblock dimensions



Wall monoblock “SADDLE” version (STANDARD) 400 series



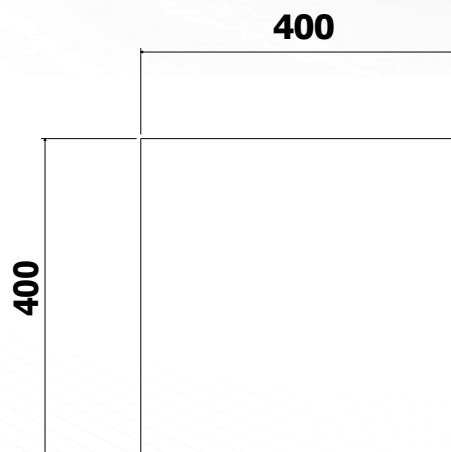
Holes size in the cold room panel



Wall monoblock “PLUG-IN” version (OPTIONAL) 400 series



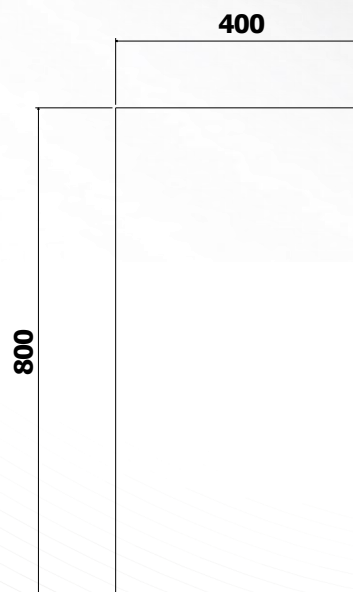
Hole size in the cold room wall



Wall monoblock “PLUG-IN PANEL WITH HOOKS” version (OPTIONAL) 400 series



Panel with hooks dimensions



Packaging *dimensions for wall monoblock*

