

# Wall saddle monoblock medium temperature MOD. IPAM404C ❄️



Included accessories



Table of cooling capacities in W and cold room m<sup>3</sup> - MOD. IPAM404C - R455A



COLD ROOM T.

| AMBIENT T. | 5 °C |      | 2 °C |      | 0 °C |      | -2 °C |      | -5 °C |      |
|------------|------|------|------|------|------|------|-------|------|-------|------|
|            | W    | m3   | W    | m3   | W    | m3   | W     | m3   | W     | m3   |
| 25 °C      | 1693 | 21,4 | 1565 | 17,8 | 1482 | 14,2 | 1401  | 12,8 | 1282  | 11,4 |
| 32 °C      | 1545 | 18,5 | 1427 | 15,2 | 1350 | 12,0 | 1274  | 10,9 | 1164  | 9,8  |
| 38 °C      | 1410 | 15,6 | 1301 | 12,9 | 1229 | 10,2 | 1158  | 9,2  | 1055  | 8,2  |
| 43 °C      | 1292 | 12,3 | 1191 | 10,3 | 1124 | 8,2  | 1059  | 7,3  | 962   | 6,3  |

## Technical data

|             |                 |
|-------------|-----------------|
| Model       | IPAM404C        |
| Type        | Monoblock (400) |
| Mounting    | Wall            |
| Application | MBP             |
| Expansion   | Valve           |
| Defrost     | Hot gas         |
| CAT. PED    | 1               |
| Refrigerant | R455A           |

## Dimensions

|            |        |
|------------|--------|
| Width W    | 400 mm |
| Depth D    | 922 mm |
| Height H   | 800 mm |
| Net weight | 63 kg  |

## Absorption

|                     |       |
|---------------------|-------|
| Power consumption   | 610 W |
| Current consumption | 2,7 A |

## Condenser

|                   |                       |
|-------------------|-----------------------|
| Condensation      | Air                   |
| No. of fan-motors | 1                     |
| Diameter          | 254 mm                |
| Air flow          | 700 m <sup>3</sup> /h |

## Evaporator

|                   |                       |
|-------------------|-----------------------|
| No. of fan-motors | 1                     |
| Diameter          | 254 mm                |
| Air flow          | 750 m <sup>3</sup> /h |
| Air throw         | 6 m                   |

## Compressor

|                    |                      |
|--------------------|----------------------|
| Type               | Hermetic             |
| No. of compressors | 1 (AJ4480P)          |
| Brand              | TECUMSEH             |
| Voltage            | 220-240/1/50         |
| Displacement       | 15,2 cm <sup>3</sup> |

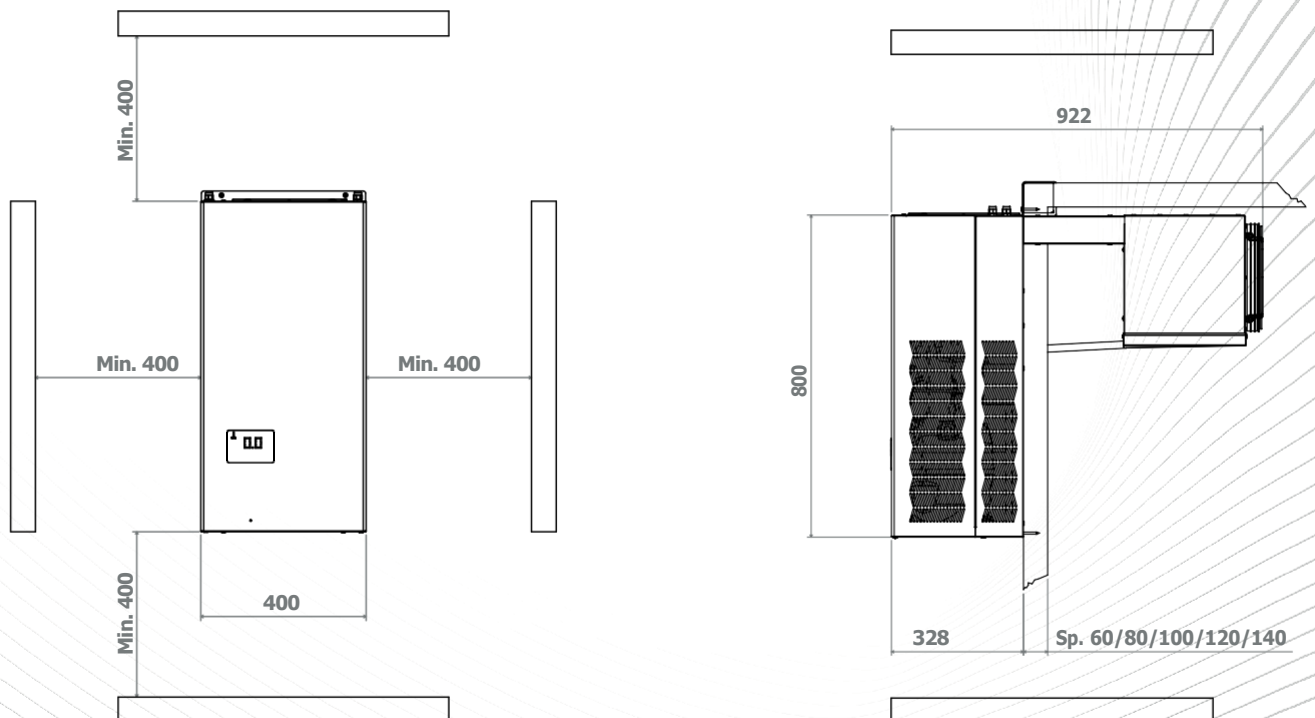
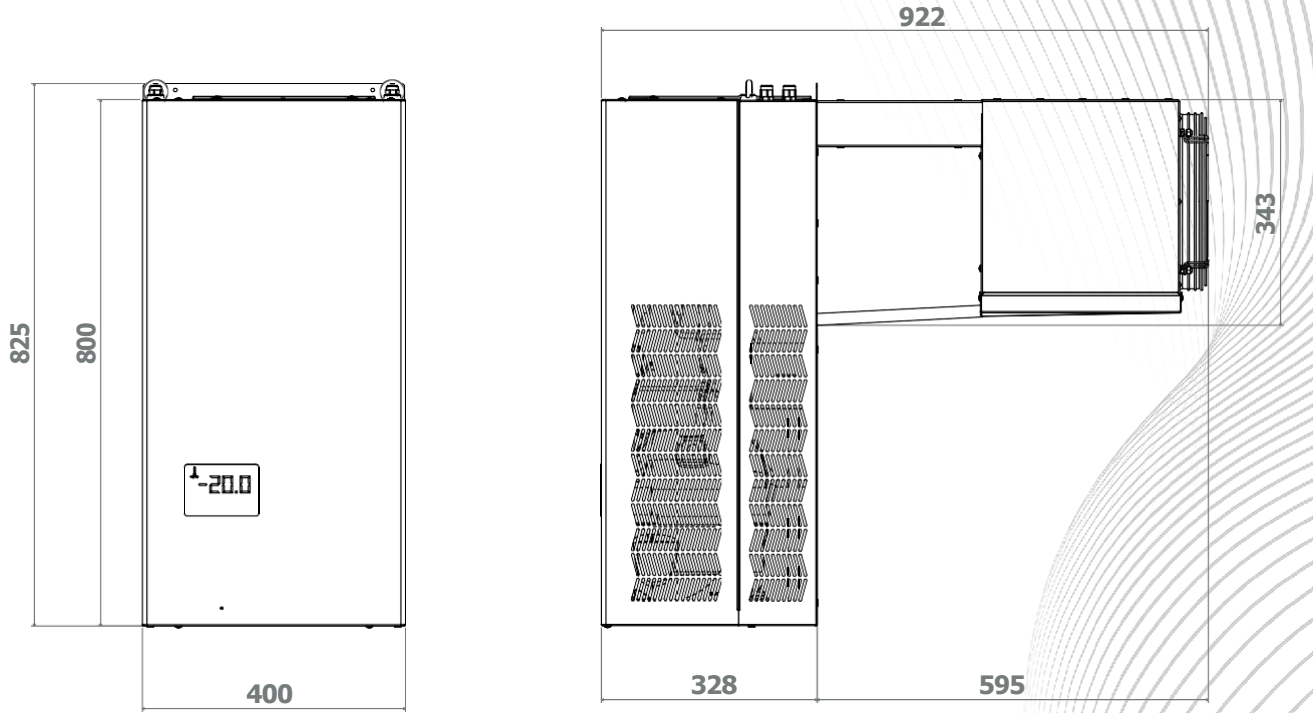
## Technical features (standard)

- Structure in zinc-plated metal sheet coated with epoxy primer and powder (RAL 9003);
- Easily removable front cover to facilitate both verification and maintenance operations;
- Internal arrangement of components designed to facilitate their maintenance;
- Hermetic compressors with thermal motor protection;
- Heat exchangers with striped copper and aluminium pipes;
- Air condensation;
- Air evaporation;
- Thermostatic valve expansion;
- Programmable hot gas defrosting;
- Heating cable for condensate drain in both MT and LT;
- Stainless steel tray for condensed water evaporation equipped with a copper coil with cataphoresis coating and an overflow exhaust pipe;
- High-pressure safety pressure switch (automatic reset/fixed setting);
- Electronic control unit;
- Programmable electronic board with touch control display;
- Control unit designed for remote management via Wi-Fi module (optional);
- Cold room light with cable L=2,5m;
- Micro-switch with cable L=2,5m;
- Power cable L=2,5m;
- Packaging with wooden pallet and cardboard (included)

## Optional a request

- Plug-in kit th. 100 mm without hooks 400 series;
- Plug-in kit th. 60 mm with hooks 400 series;
- Plug-in kit th. 80 mm with hooks 400 series;
- Plug-in kit th. 100 mm with hooks 400 series;
- Plug-in kit th. 120 mm with hooks 400 series;
- Plug-in kit th. 140 mm with hooks 400 series;
- Low-pressure switch (automatic reset/fixed setting);
- Wi-Fi module for remote management;
- Condenser fan speed control with pressure switch;
- Condenser fan speed control with pressure speed variator;
- Compressor crankcase heater;
- Winter kit;
- Remote control panel with cable of 5/10/15/20m;
- Length increase for machine's power cables, light cable and door micro-switch cable (5/10/15/20m);
- Voltage monitor for three-phase application;
- Cataphoresis treatment on evaporator and/or condenser;
- Packaging with wooden cage;

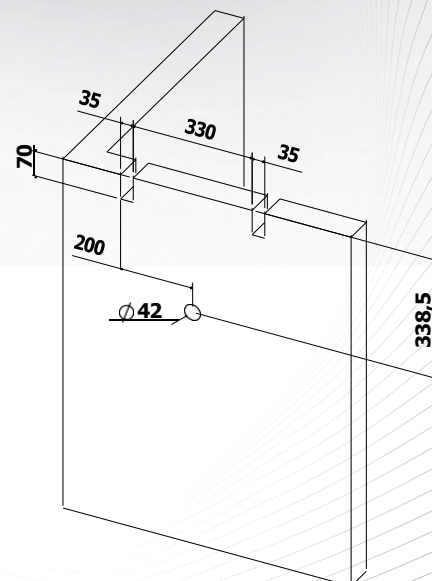
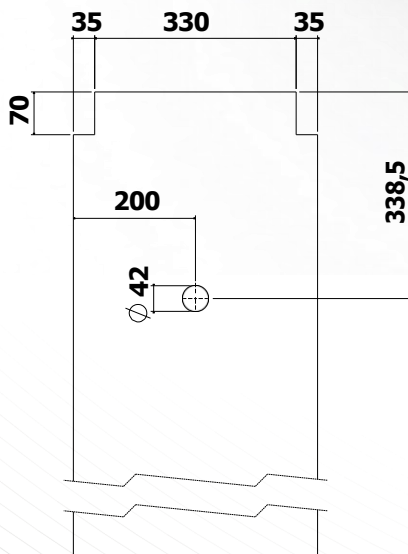
## 400 series wall monoblock dimensions



Wall monoblock “SADDLE” version (STANDARD) 400 series



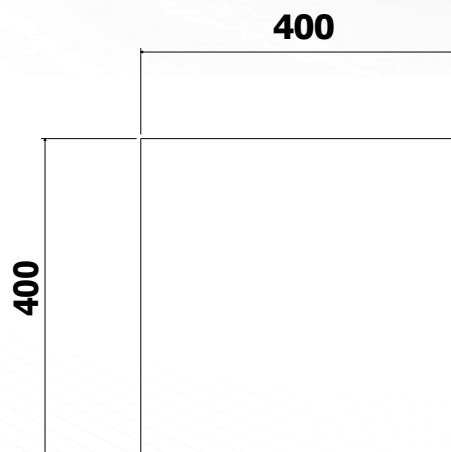
Holes size in the cold room panel



*Wall monoblock “PLUG-IN” version (OPTIONAL) 400 series*



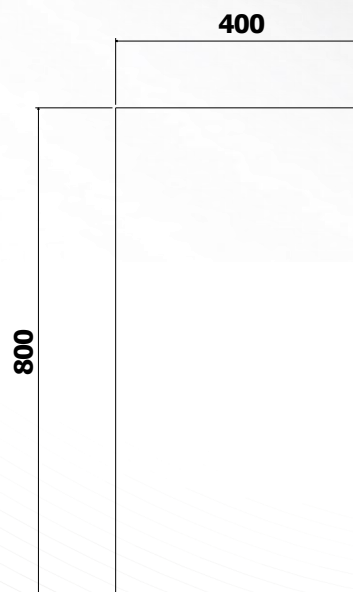
*Hole size in the cold room wall*



**Wall monoblock “PLUG-IN PANEL WITH HOOKS” version (OPTIONAL) 400 series**



**Panel with hooks dimensions**



## Packaging *dimensions for wall monoblock*

