

# Wall saddle monoblock medium temperature MOD. IPAM803C ❄️



Included accessories

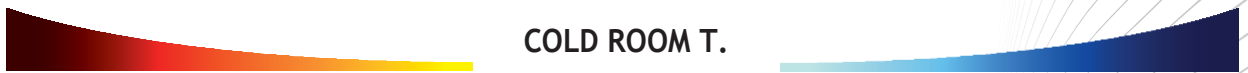


LED LIGHT



DOOR MICROSWITCH

Table of cooling capacities in W and cold room m<sup>3</sup> - MOD. IPAM803C - R455A



COLD ROOM T.

| AMBIENT T. | 5 °C |      | 2 °C |      | 0 °C |      | -2 °C |      | -5 °C |      |
|------------|------|------|------|------|------|------|-------|------|-------|------|
|            | W    | m3   | W    | m3   | W    | m3   | W     | m3   | W     | m3   |
| 25 °C      | 5926 | 88,7 | 5595 | 75,2 | 5271 | 61,7 | 4953  | 55,2 | 4643  | 48,7 |
| 32 °C      | 5340 | 77,5 | 5032 | 64,8 | 4730 | 52,0 | 4434  | 46,8 | 4144  | 41,6 |
| 38 °C      | 4823 | 69,2 | 4535 | 55,7 | 4252 | 42,2 | 3974  | 39,2 | 3702  | 36,2 |
| 43 °C      | 4383 | 60,9 | 4114 | 46,7 | 3850 | 32,5 | 3590  | 32,1 | 3335  | 31,7 |

## Technical data

|             |                 |
|-------------|-----------------|
| Model       | IPAM803C        |
| Type        | Monoblock (800) |
| Mounting    | Wall            |
| Application | MBP             |
| Expansion   | Valve           |
| Defrost     | Hot gas         |
| CAT. PED    | 2               |
| Refrigerant | R455A           |

## Dimensions

|            |         |
|------------|---------|
| Width W    | 800 mm  |
| Depth D    | 1154 mm |
| Height H   | 800 mm  |
| Net weight | 120 kg  |

## Absorption

|                     |        |
|---------------------|--------|
| Power consumption   | 3540 W |
| Current consumption | 15 A   |

## Condenser

|                   |                        |
|-------------------|------------------------|
| Condensation      | Air                    |
| No. of fan-motors | 2                      |
| Diameter          | 300 mm                 |
| Air flow          | 2600 m <sup>3</sup> /h |

## Evaporator

|                   |                        |
|-------------------|------------------------|
| No. of fan-motors | 2                      |
| Diameter          | 300 mm                 |
| Air flow          | 2800 m <sup>3</sup> /h |
| Air throw         | 8 m                    |

## Compressor

|                    |                      |
|--------------------|----------------------|
| Type               | Hermetic             |
| No. of compressors | 1 (FH4532P)          |
| Brand              | TECUMSEH             |
| Voltage            | 220-240/1/50         |
| Displacement       | 50,6 cm <sup>3</sup> |

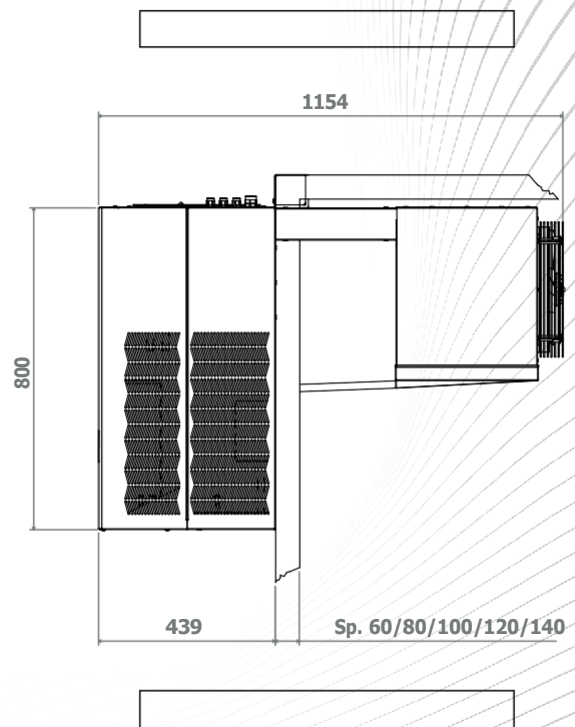
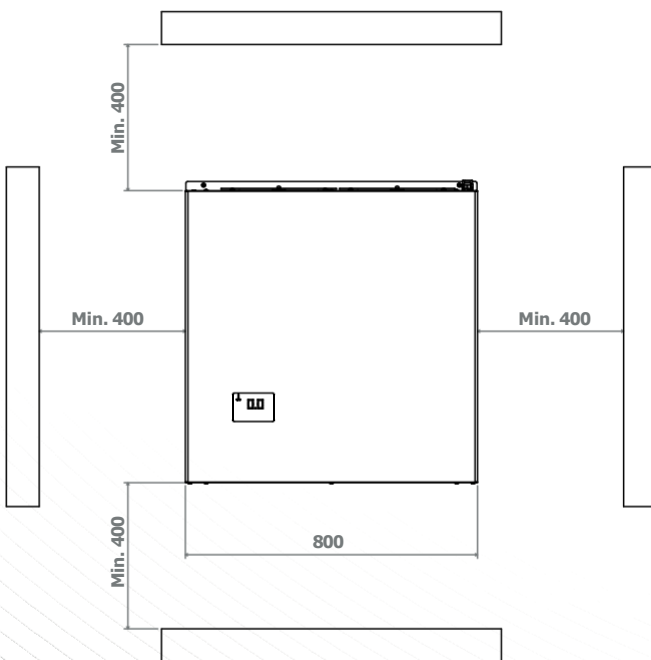
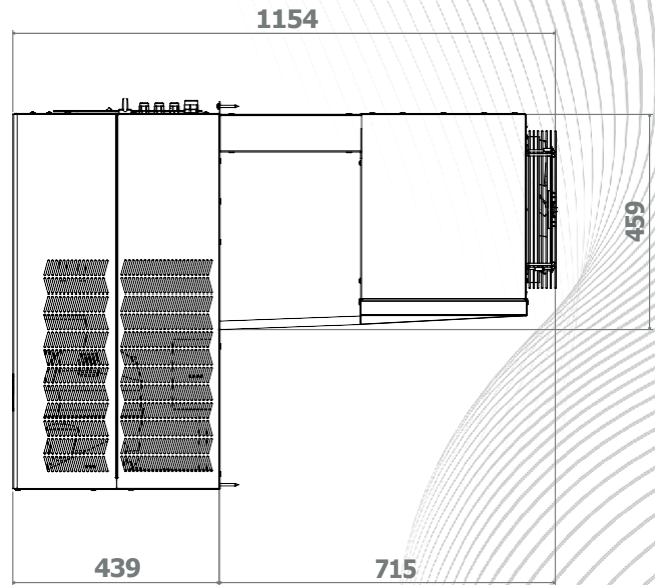
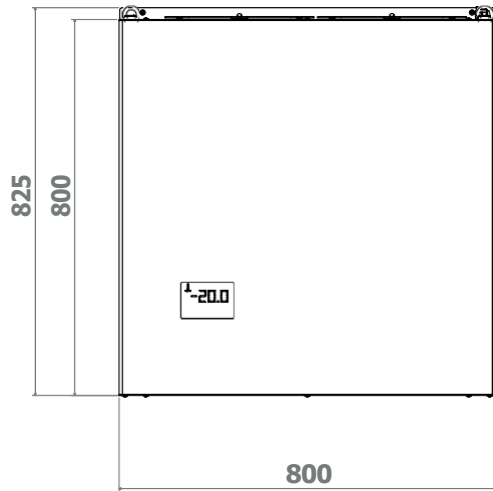
## Technical features (standard)

- Structure in zinc-plated metal sheet coated with epoxy primer and powder (RAL 9003);
- Easily removable front cover to facilitate both verification and maintenance operations;
- Internal arrangement of components designed to facilitate their maintenance;
- Hermetic compressors with thermal motor protection;
- Heat exchangers with striped copper and aluminium pipes;
- Air condensation;
- Air evaporation;
- Thermostatic valve expansion;
- Programmable hot gas defrosting;
- Heating cable for condensate drain in both MT and LT;
- Stainless steel tray for condensed water evaporation equipped with a copper coil with cataphoresis coating and an overflow exhaust pipe;
- High-pressure safety pressure switch (automatic reset/fixed setting);
- Electronic control unit;
- Programmable electronic board with touch control display;
- Control unit designed for remote management via Wi-Fi module (optional);
- Cold room light with cable L=2,5m;
- Micro-switch with cable L=2,5m;
- Power cable L=2,5m;
- Packaging with wooden pallet and cardboard (included)

## Optional a request

- Plug-in kit th. 100 mm without hooks 800 series;
- Plug-in kit th. 60 mm with hooks 800 series;
- Plug-in kit th. 80 mm with hooks 800 series;
- Plug-in kit th. 100 mm with hooks 800 series;
- Plug-in kit th. 120 mm with hooks 800 series;
- Plug-in kit th. 140 mm with hooks 800 series;
- Low-pressure switch (automatic reset/fixed setting);
- Wi-Fi module for remote management;
- Condenser fan speed control with pressure switch;
- Condenser fan speed control with pressure speed variator;
- Compressor crankcase heater;
- Winter kit;
- Remote control panel with cable of 5/10/15/20m;
- Length increase for machine's power cables, light cable and door micro-switch cable (5/10/15/20m);
- Voltage monitor for three-phase application;
- Cataphoresis treatment on evaporator and/or condenser;
- Packaging with wooden cage;

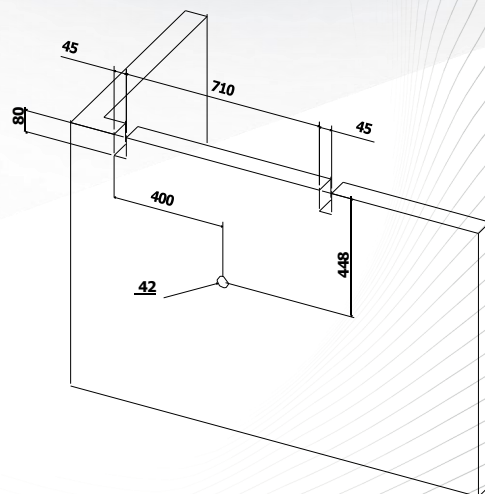
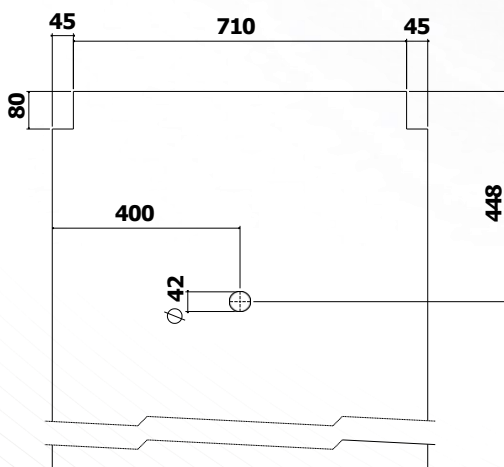
## 800 series wall monoblock dimensions



Wall monoblock “SADDLE” version (STANDARD) 800 series



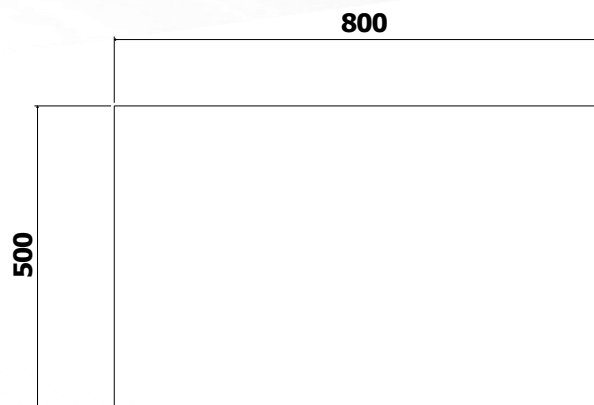
Holes size in the cold room panel



*Wall monoblock “PLUG-IN” version (OPTIONAL) 800 series*



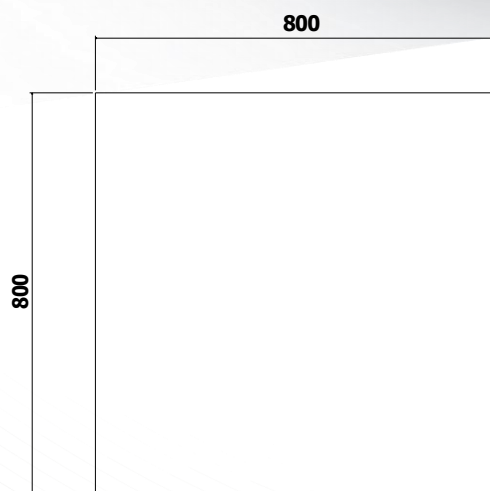
*Hole size in the cold room wall*



**Wall monoblock “PLUG-IN PANEL WITH HOOKS” version (OPTIONAL) 800 series**



**Panel with hooks dimensions**



**Packaging dimensions for wall monoblock**

