

**SPLIT SYSTEM WITH LOW-NOISE
CONDENSING UNIT TECHNICAL DATA
SHEET DORIN H801CS**

TECHNICAL DATA

Code	ISSL181ASD
Type	Low-noise (1400)
Noise	44 dBA 10m
Application	Low Temp.
Expansion	Valve
Refrigerant	R452A
CAT. PED	1

CONDENSING UNIT DIMENSIONS

Width W	1460
Depth D	650
Height H	1190
Net weight	465 kg

PIPE FITTINGS

Liquid line	Ø 16
Suction	Ø 35

ABSORPTION

Power consumption (W)	8300 (W)
Current consumption (A)	20,7 (A)
Power defrost (W)	6550 (W)

CONDENSER

Condensation	Aria
Fans no.	2
Diameter	Ø 450
RPM	900 g/m

EVAPORATOR

Fans no.	2
Diameter	Ø 500
Air flow	15676 m3/h
Air throw	35 m

COMPRESSOR

Type	SEMI-HERMETIC
Compressors no.	1 H801CS
Brand	DORIN
Voltage	380-420 V
Displacement	43,73 (cc)



Indicative product image



LED lamp

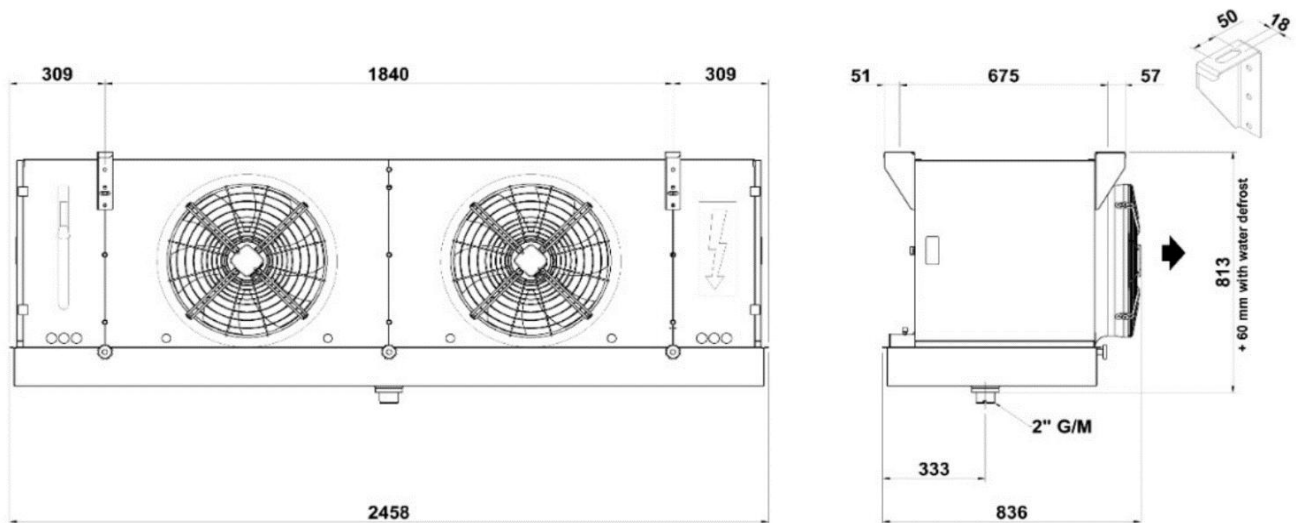


Door micro-switch

**REFRIGERATION CAPACITY TABLE (W - M³) OF SPLIT SYSTEM
WITH LOW-NOISE CONDENSING UNIT DORIN H801CS Refrigerant R452A**

COLD ROOM T.	-15 °C		-20 °C		-25 °C	
AMBIENT T.	W	M ³	W	M ³	W	M ³
25 °C	13342	337,5	11386	290,4	9546	190,9
32 °C	12196	294,4	10380	251,9	8665	171,8
38 °C	10925	254,6	9181	215,6	7533	143,0
43 °C	10077	214,7	8445	179,2	6897	114,2

EVAPORATOR DIMENSIONS



STANDARD TECHNICAL FEATURES

- Self-supporting casing in zinc-plated metal sheet coated with epoxy powder (RAL7047);
- Sound insulation on the compressor side;
- Semi-hermetic compressor with internal protection of the motor;
- Compressor muffler;
- High-performance air condenser with aluminium fins and grooved cooper tubes;
- Axial external rotor fan-motor (900 rpm) 220V_50Hz;
- Condenser fan speed regulator;
- Liquid receiver with safety valve;
- Drier filter to be welded;
- Humidity indicator to be welded;
- Solenoid valve on the liquid line to welded;
- HP+LP pressure switch with automatic reset;
- Rapid shut-off valves up to d.18mm; shut-off valves to be welded from d.22mm on;
- Built-in power and control electrical box;
- Aluminium and copper ventilated evaporator with electric defrost;
- Expansion by thermostatic valve;
- Condensed water tray (tube heater for low temperature models);
- Condenser - evaporator connecting cables, cable length 2,5 meters;
- Wired remote control panel with large display, cable length 2,5 meters;
- Wired door micro-switch, cable length 2,5 meters;
- Cold room light with wired LED lamp, cable length 2,5 meters;
- Power cable length 2,5 meters;
- Condensing unit under nitrogen pressure;
- PED directive compliant units;
- Packaging included (pallet+cardboard);

OPTIONAL ON REQUEST

- Wi-Fi module for remote management;
- Compressor crankcase heater;
- Oil separator;
- Liquid separator;
- Refrigerant charge;
- Cables kit for evaporator, cold room light, door micro-switch and remote panel (from 5 to 30 meters);
- Cable kit for remote control panel (from 5 to 30 meters);
- Pipe connections SAE flare kit up to Ø18 in suction (from 2,5 to 30 meters);
- Pre-charged pipe connections kit up to Ø18 in suction (from 2,5 to 30 meters);
- Pipe connections kit to be welded up to Ø18 in suction (from 2,5 to 30 meters);
- Water condensation or mixed air/water condensation;
- Cataphoresis treatment on evaporator and/or on condenser;
- Electrical fan;
- Packaging with wooden cage;