

SPLIT UNIT TECHNICAL DATA SHEET

Technical data

Type	Low noise Split
Code	ISSM071AET
Condensation	Air
Net Weight	110 Kg
PED	1
Defrost	Electrical
Expansion	Valve
Application	MBP
Refrigerant	R452A

Dimensions

Width L	800
Depth P	400
Height H	610

Pipe fittings

Liquid diam.	10 mm
Suction diam.	16 mm

Absorptions

Power consumption	1420 W
Current consumption	6,9 A
Power defrost	1020 W

Condenser

Fans no.	1
Diameter	350 mm
Air flow	1699 m ³ /h

Evaporator

Fans no.	3
Diameter	250 mm
Air flow	1780 m ³ /h
Air throw	5 m

Compressor

Type	Hermetic
Compressors no.	1 (CAJ4517Z)
Brand	TECUMSEH
Voltage	220-240/1/50
Displacement	25,95 cm ³ -1 hp



Indicative product image



LED light



Magnetic door micro-switch

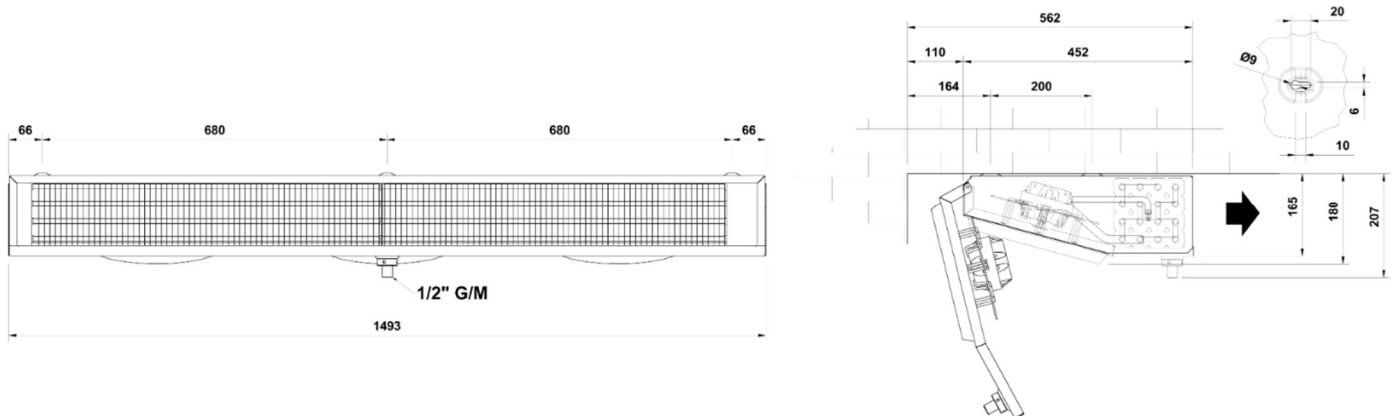
Versions

- Standard vers. with angular evaporator;
- Cubic evaporator vers.;
- Double flow evaporator vers.;

Table of Split unit cooling capacities in W - R452A

AMBIENT T.	COLD ROOM T.					
	5°C		0°C		-5°C	
	W	m ³	W	m ³	W	m ³
25°C	3009	40,7	2626	28,3	2264	19,9
32°C	2744	29,8	2389	21,2	2053	15
38°C	2503	22,8	2176	16,4	1866	11,6
43°C	2292	18,2	1989	13,1	1701	9,4

Evaporator dimensions



Technical features (standard)

- Structure in zinc-plated metal sheet coated with epoxy primer and powder;
- Sound insulation;
- Internal arrangement of components designed to facilitate maintenance;
- Heat exchangers with copper tubes and aluminium fins;
- Air condensation;
- Air evaporation;
- Electrical defrost;
- Liquid receiver;
- Drier filter;
- Liquid indicator;
- Solenoid valve on the liquid line;
- High-pressure switch (automatic reset/fixed setting);
- Condensing unit under nitrogen pressure;
- Electronic control unit;
- **Expansion by thermostatic valve;**
- **Low-pressure switch (automatic reset);**
- **Condenser fan speed control with pressure speed variator;**
- **Control unit designed for remote management via Wi-Fi module (optional);**
- **Fans evaporator + defrost heaters Cable L=10m;**
- **Evaporator temp. probes + cold room Cable L=10m**
- **Cold room light with cable L=10m;**
- **Magnetic micro-switch with cable L = 10m;**
- **Remote control panel with cable 10m;**
- **Power cable L=2,5m;**
- **Packaging with wooden pallet and cardboard (included);**

Optional on request

- Refrigerant charge without piping;
- Pipes for evaporator connection L= 5/10/15/20/30m;
- Oil separator;
- Liquid separator;
- Compressor crankcase heater;
- Wi-Fi module for remote management;
- Remote control panel with cable L= 15/20/30m;
- Length increase for machine's power cables, light cable, door micro-switch cable and remote control panel (15/20/30m);
- Voltage monitor for three-phase application;
- Cataphoresis treatment on evaporator and/or condenser;
- Packaging with wooden cage