

**SPLIT SYSTEM WITH LOW-NOISE  
CONDENSING UNIT TECHNICAL DATA  
SHEET DORIN H300CC**

**TECHNICAL DATA**

Code	ISSM091ASD
Type	Low-noise (1400)
Noise	38,5 dBA 10m
Application	Medium Temp.
Expansion	Valve
Refrigerant	R452A
CAT. PED	1

**CONDENSING UNIT DIMENSIONS**

Width W	1460
Depth D	650
Height H	1190
Net weight	295 kg

**PIPE FITTINGS**

Liquid line	Ø 16
Suction	Ø 22

**ABSORPTION**

Power consumption (W)	4000 (W)
Current consumption (A)	10 (A)
Power defrost (W)	4300 (W)

**CONDENSER**

Condensation	Aria
Fans no.	2
Diameter	Ø 450
RPM	900 g/m

**EVAPORATOR**

Fans no.	2
Diameter	Ø 350
Air flow	4468 m3/h
Air throw	14 m

**COMPRESSOR**

Type	SEMI-HERMETIC
Compressors no.	1 H300CC
Brand	DORIN
Voltage	380-420 V
Displacement	14,74 (cc)



Indicative product image



LED lamp

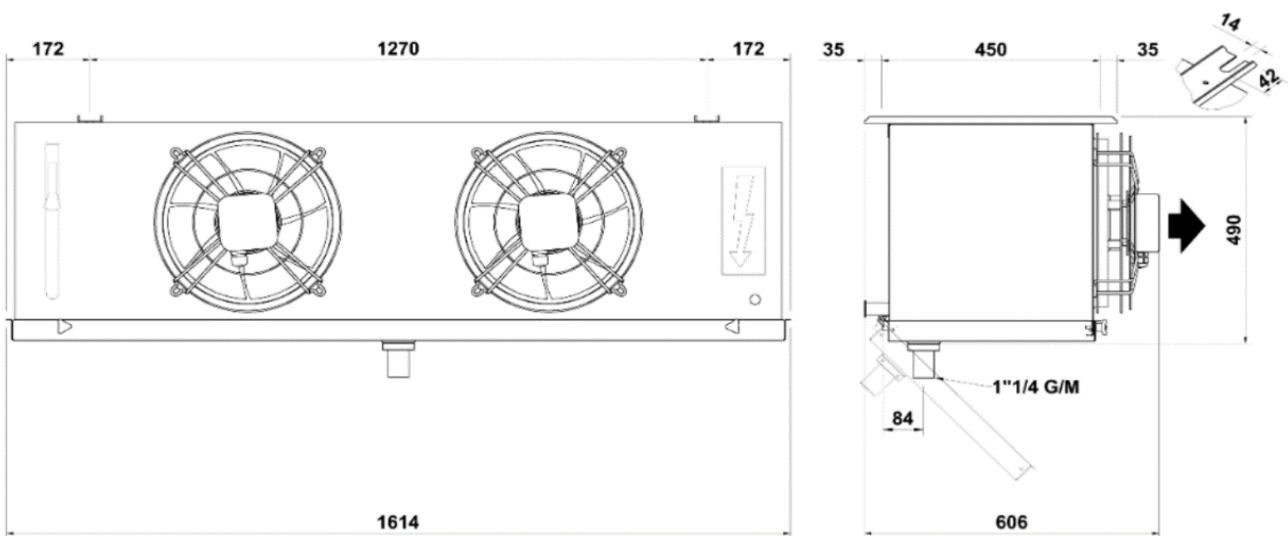


Door micro-switch

**REFRIGERATION CAPACITY TABLE (W - M<sup>3</sup>) OF SPLIT SYSTEM  
WITH LOW-NOISE CONDENSING UNIT DORIN H300CC Refrigerant R452A**

COLD ROOM T.	5 °C		0 °C		-5 °C	
AMBIENT T.	W	M <sup>3</sup>	W	M <sup>3</sup>	W	M <sup>3</sup>
25 °C	9878	161,1	8697	122,9	7581	99,7
32 °C	9054	139,8	7956	106,1	6920	85,8
38 °C	8316	122,3	7283	92,7	6302	74,0
43 °C	7683	104,8	6718	79,3	5802	62,3

**EVAPORATOR DIMENSIONS**



## STANDARD TECHNICAL FEATURES

- Self-supporting casing in zinc-plated metal sheet coated with epoxy powder (RAL7047);
- Sound insulation on the compressor side;
- Semi-hermetic compressor with internal protection of the motor;
- Compressor muffler;
- High-performance air condenser with aluminium fins and grooved cooper tubes;
- Axial external rotor fan-motor (900 rpm) 220V\_50Hz;
- Condenser fan speed regulator;
- Liquid receiver with safety valve;
- Drier filter to be welded;
- Humidity indicator to be welded;
- Solenoid valve on the liquid line to welded;
- HP+LP pressure switch with automatic reset;
- Rapid shut-off valves up to d.18mm; shut-off valves to be welded from d.22mm on;
- Built-in power and control electrical box;
- Aluminium and copper ventilated evaporator with electric defrost;
- Expansion by thermostatic valve;
- Condensed water tray (tube heater for low temperature models);
- Condenser - evaporator connecting cables, cable length 2,5 meters;
- Wired remote control panel with large display, cable length 2,5 meters;
- Wired door micro-switch, cable length 2,5 meters;
- Cold room light with wired LED lamp, cable length 2,5 meters;
- Power cable length 2,5 meters;
- Condensing unit under nitrogen pressure;
- PED directive compliant units;
- Packaging included (pallet+cardboard);

## OPTIONAL ON REQUEST

- Wi-Fi module for remote management;
- Compressor crankcase heater;
- Oil separator;
- Liquid separator;
- Refrigerant charge;
- Cables kit for evaporator, cold room light, door micro-switch and remote panel (from 5 to 30 meters);
- Cable kit for remote control panel (from 5 to 30 meters);
- Pipe connections SAE flare kit up to Ø18 in suction (from 2,5 to 30 meters);
- Pre-charged pipe connections kit up to Ø18 in suction (from 2,5 to 30 meters);
- Pipe connections kit to be welded up to Ø18 in suction (from 2,5 to 30 meters);
- Water condensation or mixed air/water condensation;
- Cataphoresis treatment on evaporator and/or on condenser;
- Electrical fan;
- Packaging with wooden cage;